



6
3
E

SLIDING SYSTEM
WITH THERMAL BREAK

SUITABLE FOR OPPOSED AND IN-WALL DOORS AND WINDOWS WITH HIGH REQUIREMENTS FOR THERMAL INSULATION, FUNCTIONALITY AND AESTHETICS



FEATURES

Elegant straight design

Excellent water tightness and air permeability

High thermal insulation - $U_w = 2.1 \text{ W/m}^2\text{K}$

Big variety of sashes

Glazing sash with 36 mm width allowing glass panel up to 24 mm

Narrow triple rail with 98 mm width

Ability of conventional & lift and slide function

Low height sashes suitable for renovation of old type aluminium windows typologies

E36

SLIDING SYSTEM
WITH THERMAL BREAK

DESIGN

IDEAL FOR RENOVATION PROJECTS

DESIGNED WITH BLUNT CORNERS

RAILS ARE DESIGNED FOR 90° CONNECTION,
BUT ALSO FOR MITER JOINT CONNECTION

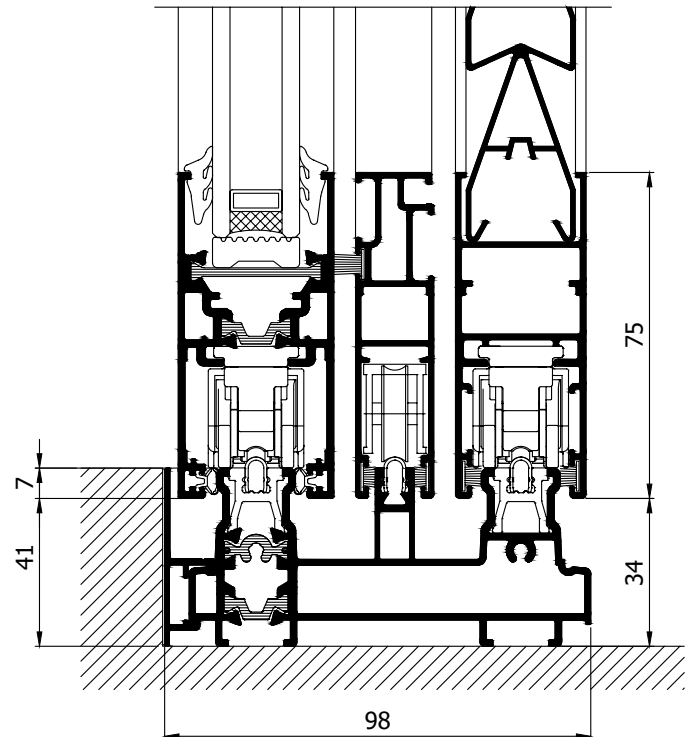
LINEAR EXTERIOR SURFACE WITHOUT
VISIBLE JOINTS

DETAILS

Same profiles can be used both for conventional & lift and slide typologies

The double rail can be easily extended, with supplementary rail profile

Special accessories and profiles available, so that a sash frame to be fixed when required



etem.com